



higher education  
& training

Department:  
Higher Education and Training  
REPUBLIC OF SOUTH AFRICA

## **NASIENRIGLYNE**

**NATIONALE SERTIFIKAAT:  
MULTIDISSCIPLINÊRE TEKENKANTOORPRAKTYK**

**ALGEMENE TEKENWERK**

**12 APRIL 2019**

**Hierdie nasienriglyn bestaan uit 6 bladsye.**

**VRAAG 1: DIE LOKUSSE**

[Correctness=Korrektheid; Accuracy= Akkuraatheid; Linework= Lynwerk;  
Calculations=Berekenings; Name of Loci=Naam van lokusse; Layout=Uitleg;  
Total=Totaal]

CORRECTNESS	7
ACCURACY	2
LINework	1
CALCULATIONS	2
NAME OF LOCI	2
LAYOUT	1
TOTAL	15

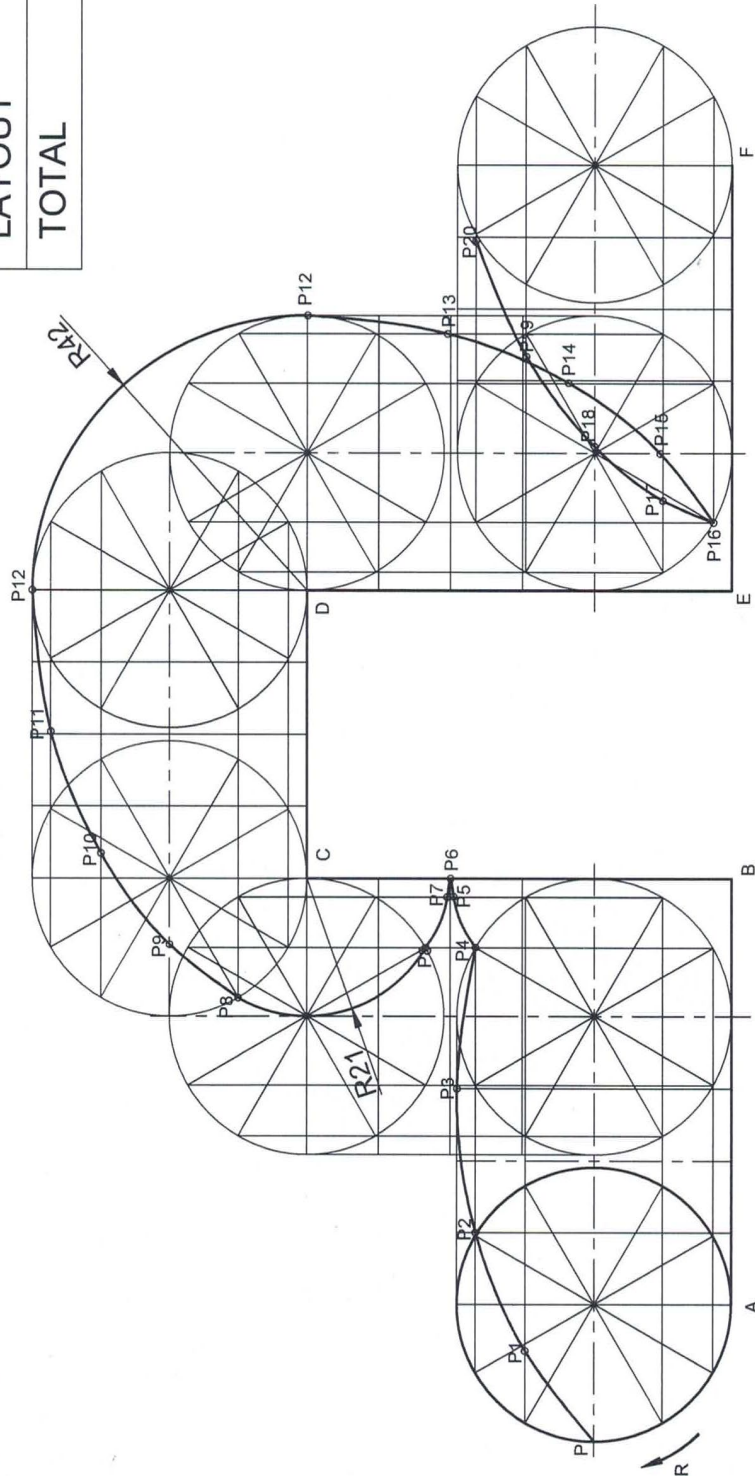
EPI-CYCLOID

$$C = \pi \times D$$

$$= 3.141 \times 42$$

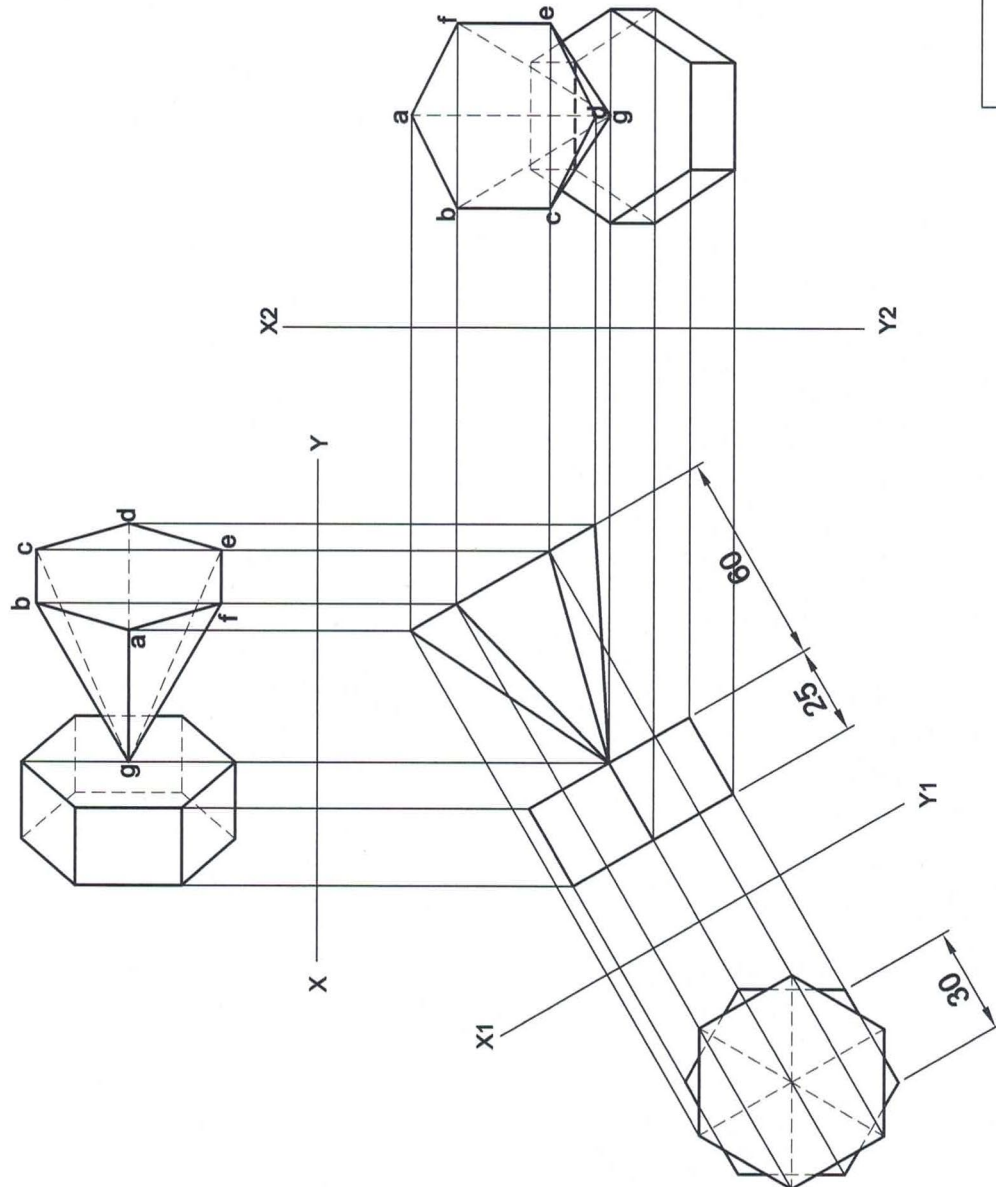
$$= 132$$

$$132/12 = 11$$



**VRAAG 2: ORTOGONALE PROJEKSIE**

[Correctness=Korrektheid; Accuracy= Akkuraatheid; Linework= Lynwerk; Layout-Uitleg; Total=Totaal]



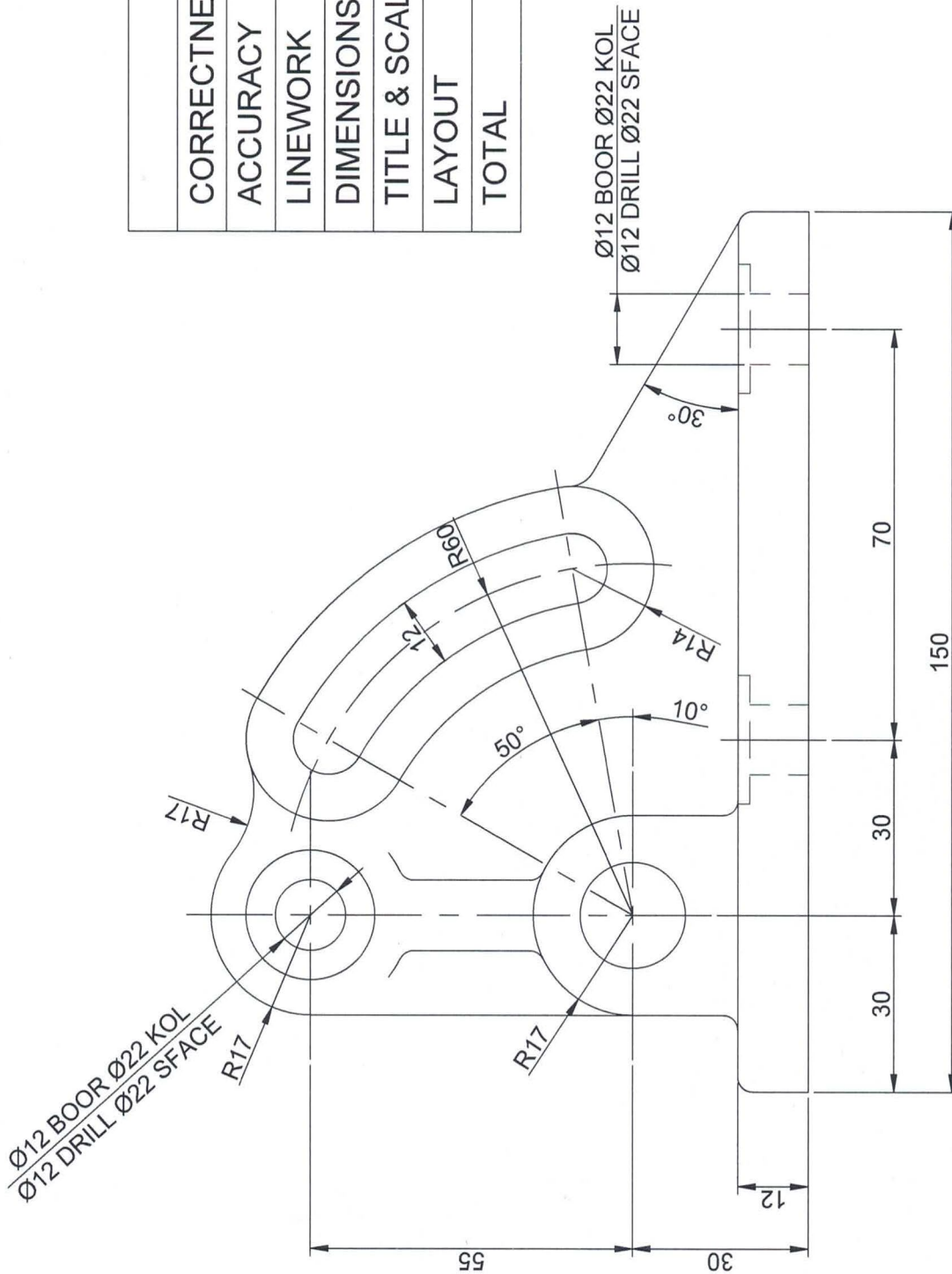
	FV	LV	TV
CORRECTNESS	4	4	4
ACCURACY	1.5	1	1
LINWORK	2.5	2	2
LAYOUT	1	1	1
TOTAL	9	8	8

[25]

**VRAAG 3: GEOMETRIESE PROJEKSIE**

[Correctness=Korrektheid; Accuracy= Akkuratheid; Linework= Lynwerk;  
Dimensions=Afmetings; Title & Scale= Titel&Skaal; Layout=Uitleg; Total=Totaal]  
[Cast sector support= Gietstuk-sektorsteun]

	8
CORRECTNESS	4
ACCURACY	4
LINework	5
DIMENSIONS	2
TITLE & SCALE	2
LAYOUT	25
TOTAL	



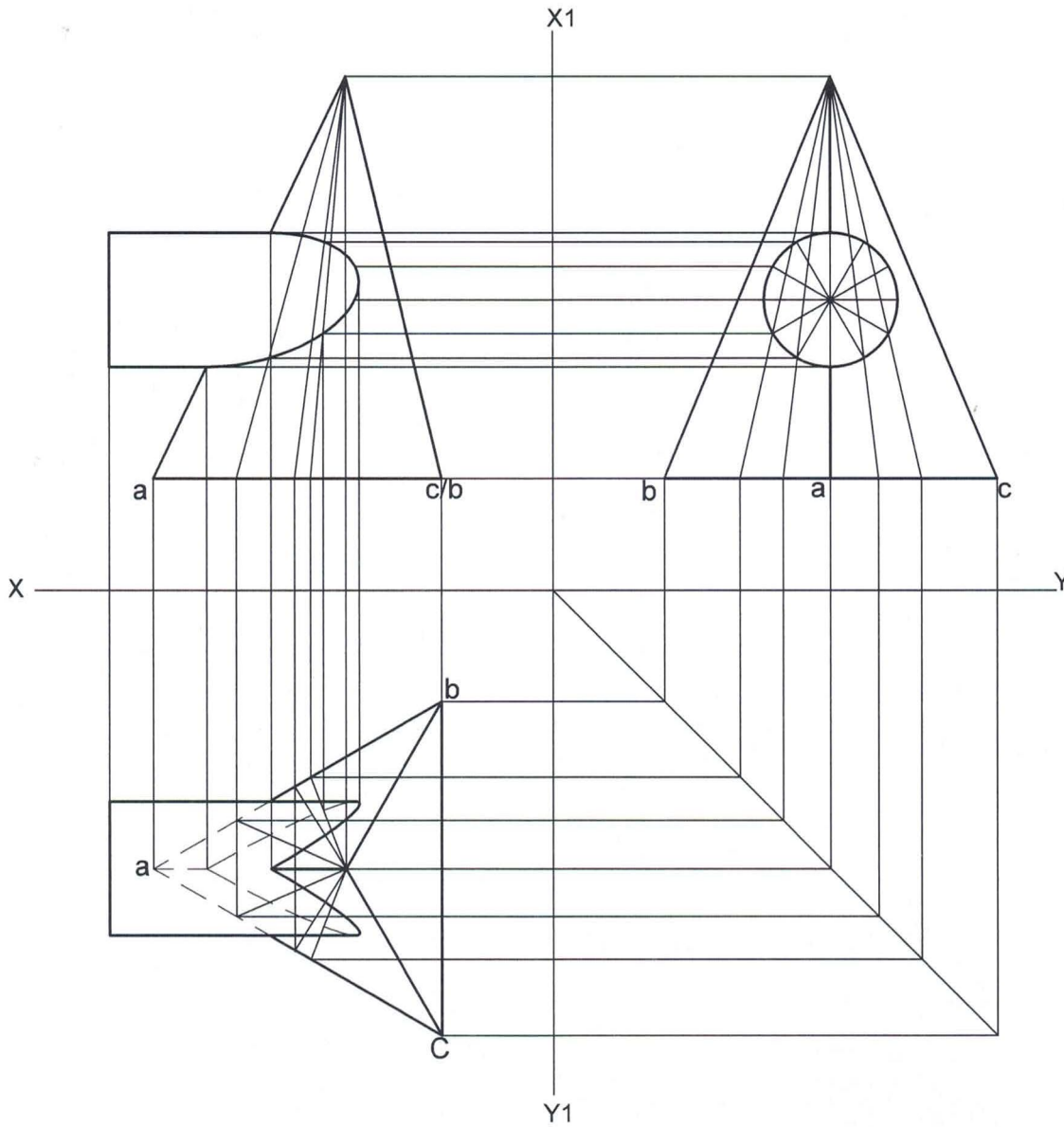
**CAST SECTOR SUPPORT**

**SCALE 1:1**

[25]

**VRAAG 4: INTERPENETRASIE**

[Correctness=Korrektheid; Accuracy= Akkuraatheid; Linework= Lynwerk; Layout-Uitleg; Total=Totaal]

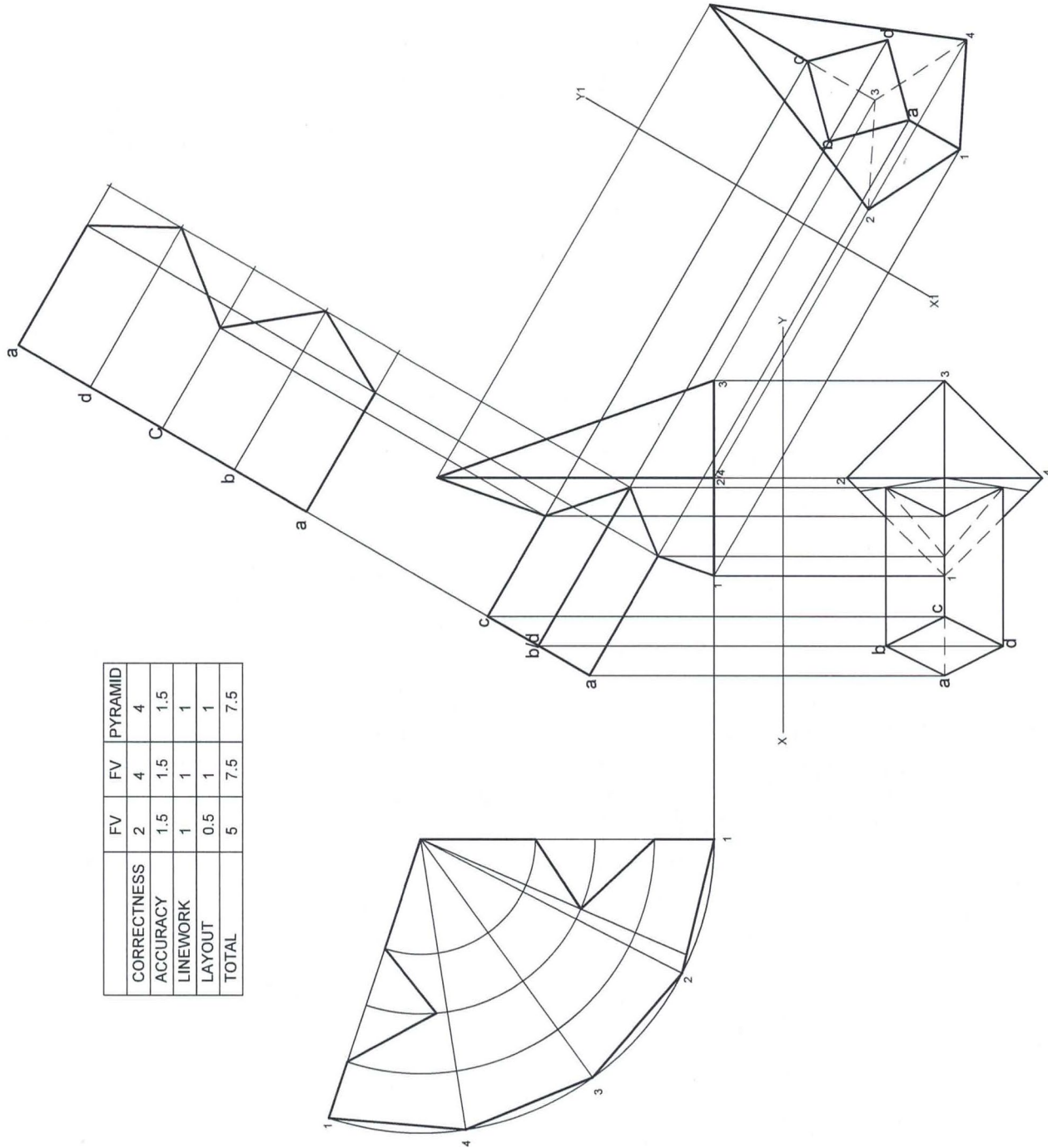


	FV	TV
CORRECTNESS	3.5	3.5
ACCURACY	1	1
LINework	2	2
LAYOUT	1	1
TOTAL	7.5	7.5

[15]

**VRAAG 5: ONTWIKKELING**

[Correctness=Korrektheid; Accuracy= Akkuraatheid; Linework= Lynwerk; Layout-Uitleg; Total=Totaal]



	FV	FV	PYRAMID
CORRECTNESS	2	4	4
ACCURACY	1.5	1.5	1.5
LINEWORK	1	1	1
LAYOUT	0.5	1	1
TOTAL	5	7.5	7.5

[20]

**TOTAAL: 100**