



**higher education
& training**

Department:
Higher Education and Training
REPUBLIC OF SOUTH AFRICA

MARKING GUIDELINE

NATIONAL CERTIFICATE

PATTERN CONSTRUCTION N5

2 October 2020

This marking guideline consists of 10 pages.

SECTION A**QUESTION 1**

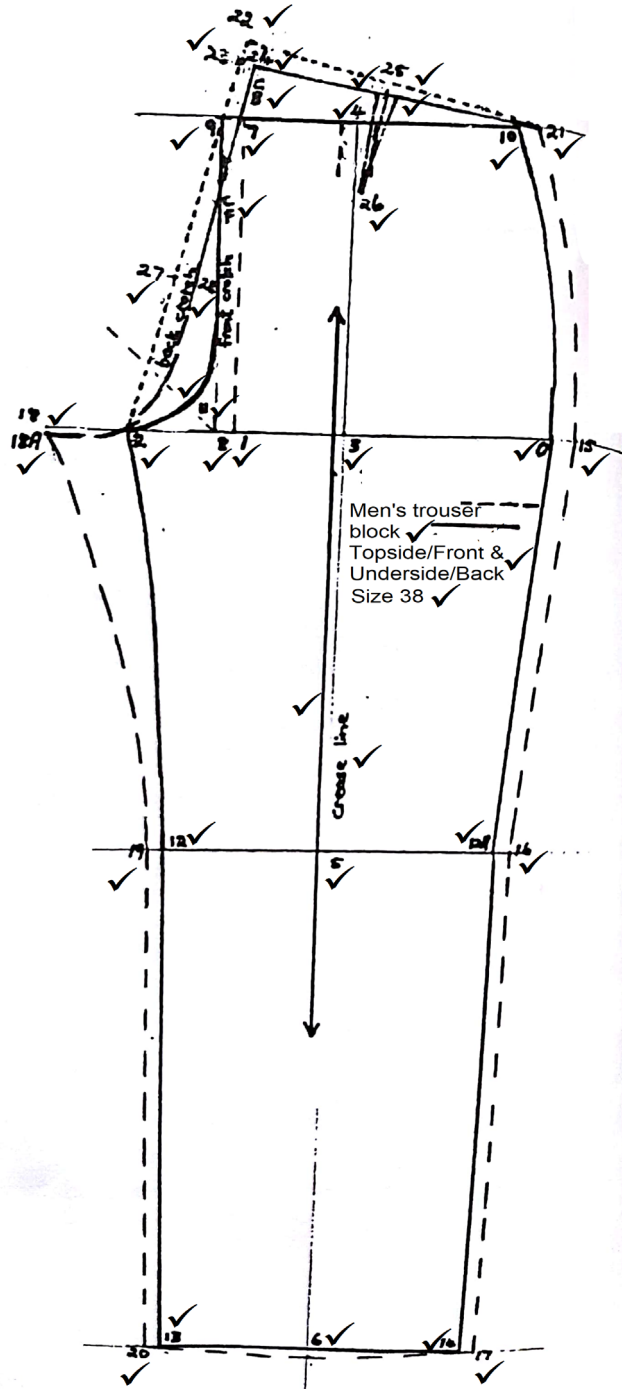
1.1	1.1.1	C		
	1.1.2	B		
	1.1.3	D		
	1.1.4	B		
	1.1.5	A		
	1.1.6	D		
	1.1.7	C		
	1.1.8	B		
	1.1.9	A		
	1.1.10	D		
			(10 × 1)	(10)
1.2	1.2.1	F		
	1.2.2	K		
	1.2.3	A		
	1.2.4	D		
	1.2.5	L		
	1.2.6	G		
	1.2.7	B		
	1.2.8	I		
	1.2.9	E		
	1.2.10	J		
			(10 × 1)	(10)
1.3	1.3.1	True		
	1.3.2	False		
	1.3.3	True		
	1.3.4	False		
	1.3.5	False		
			(5 × 1)	(5)
				[25]

QUESTION 2

2.1	2.1.1	Take a close but comfortable measure around base of the neck		
	2.1.2	Taken on side of figure from waistline down to ground		
	2.1.3	The difference between the outside and inside leg lengths OR Sit on a hard surface and measure from waist to surface		
	2.1.4	Close measure around the widest part of the upper arm		
	2.1.5	Close comfortable measure taken around the widest part of the leg below	(5 × 3)	(15)
2.2	2.2.1	Front combined pocket bag		
	2.2.2	Pocket facing		
	2.2.3	Back pocket bag		
	2.2.4	Back pocket binding strip		
	2.2.5	Pocket bag	(5 × 2)	(10)
				[50]
			TOTAL SECTION A:	50

SECTION B

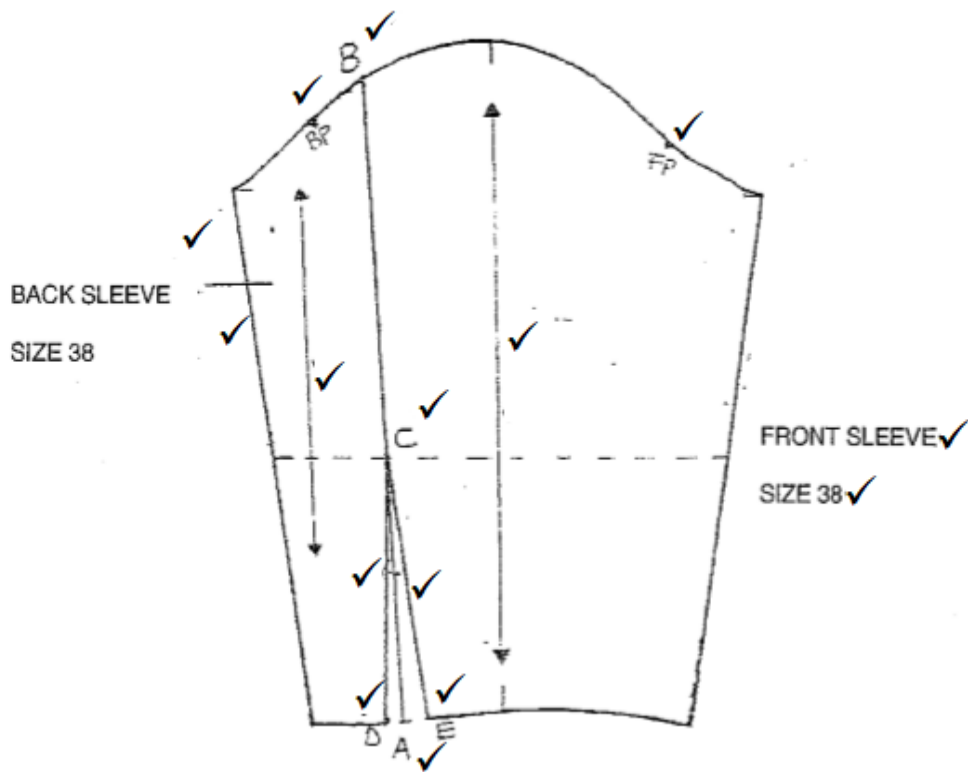
QUESTION 3



[40]

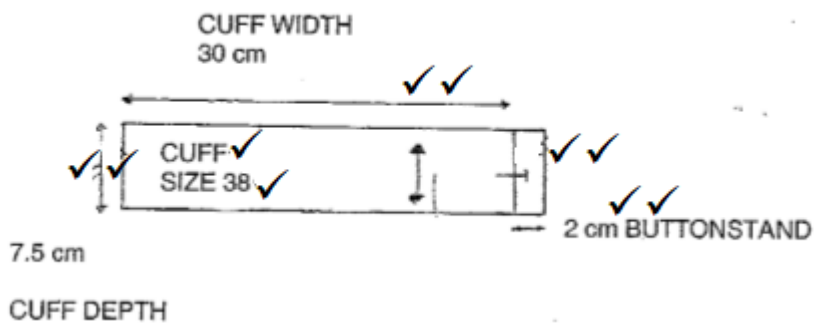
QUESTION 4

4.1



(15)

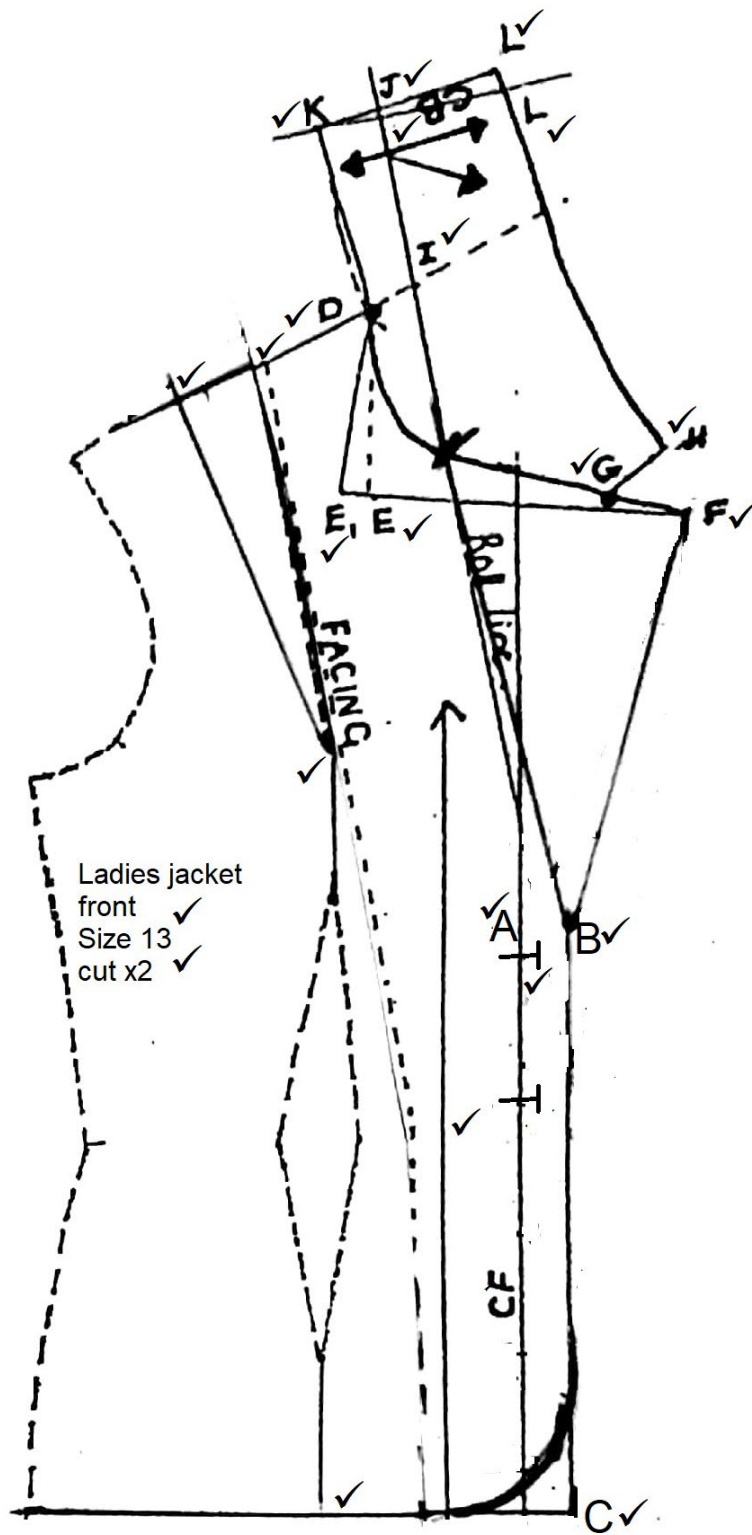
4.2



(10)
[25]

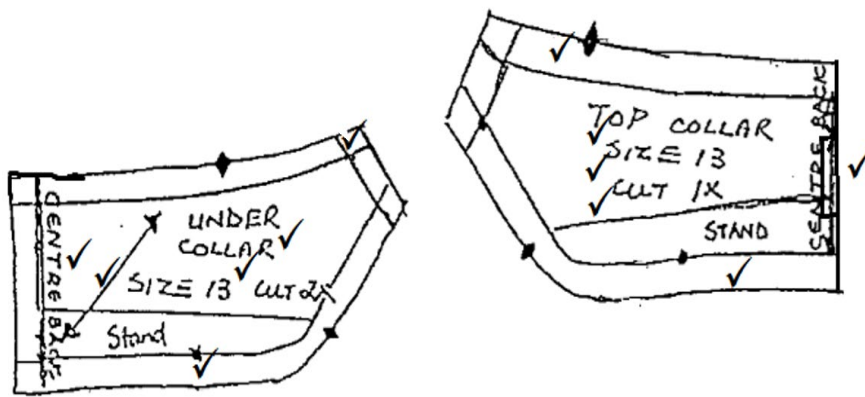
QUESTION 5

5.1.1



(23)

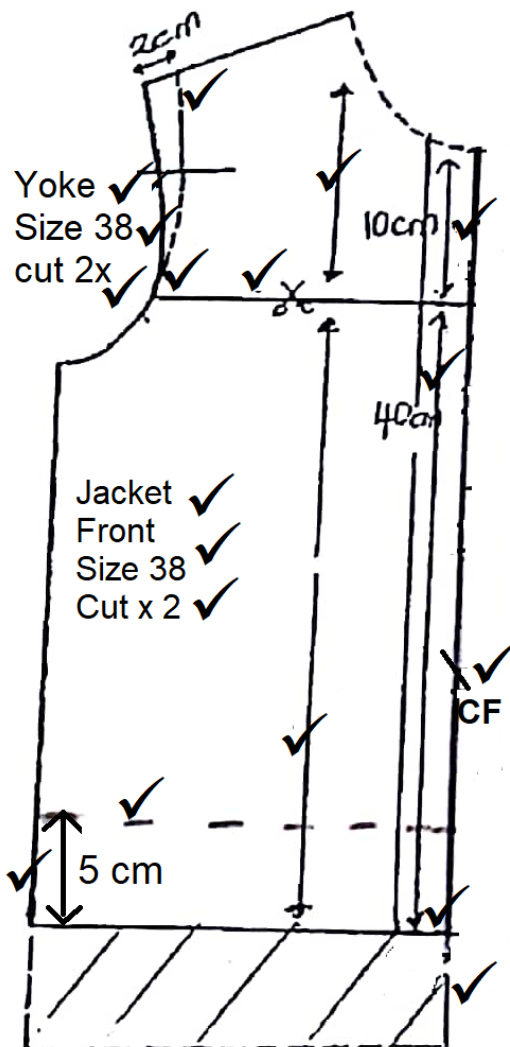
5.1.2



(12)
[35]

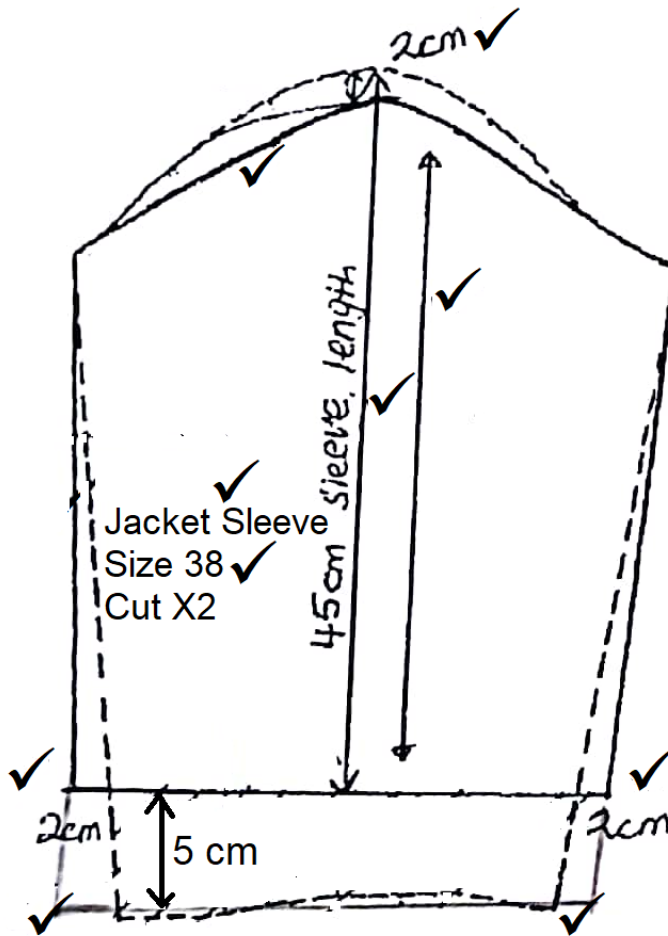
OR

5.2 5.2.1



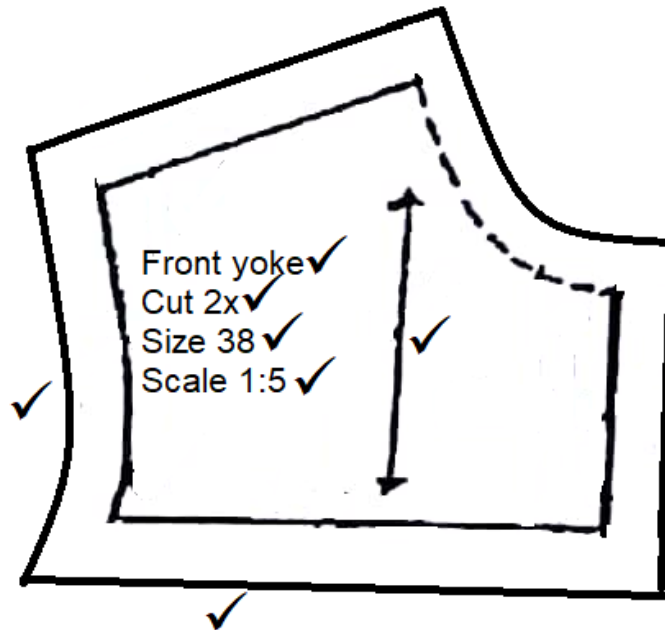
(18)

5.2.2



(10)

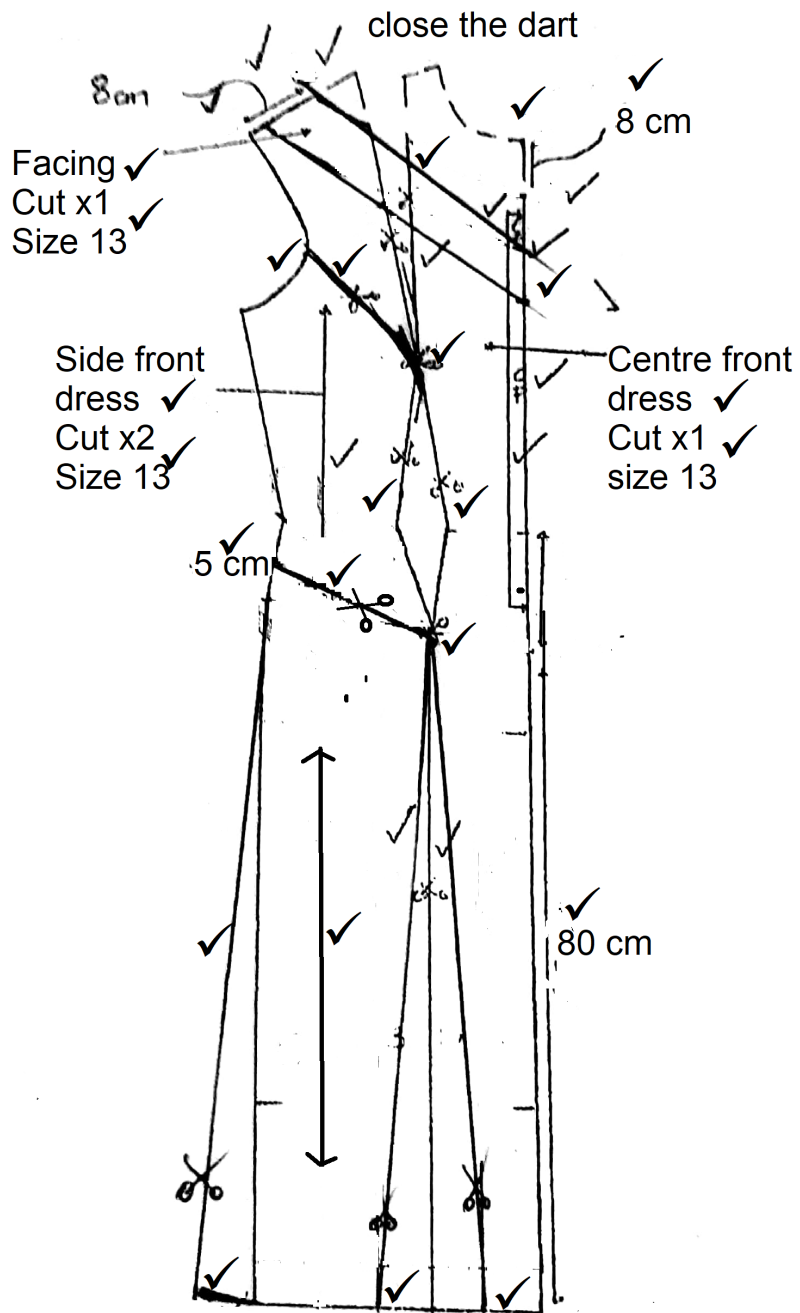
5.2.3



(7)

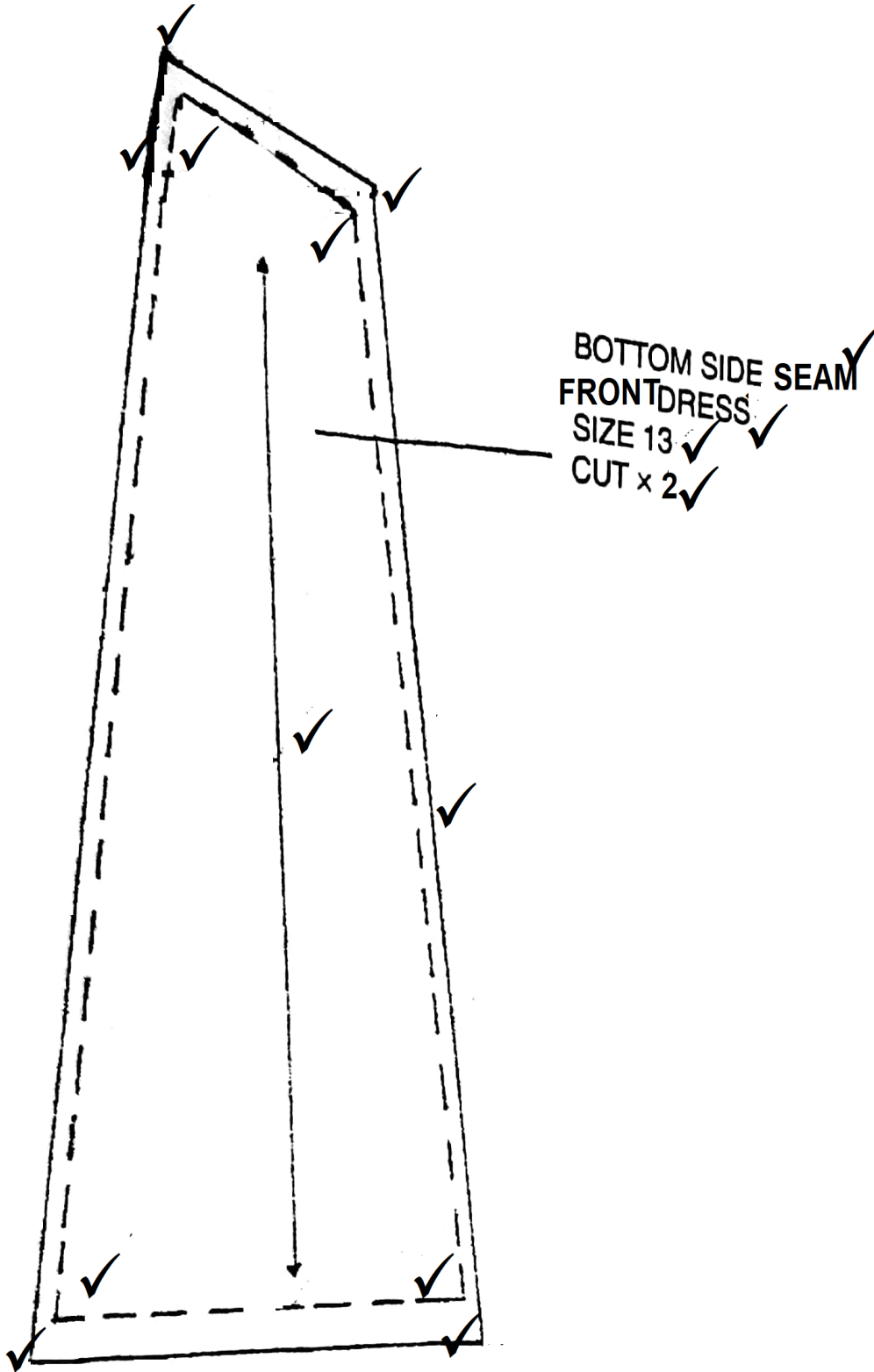
QUESTION 6

6.1



(35)

6.2



(15)
[50]

TOTAL SECTION B: 150
GRAND TOTAL: 200